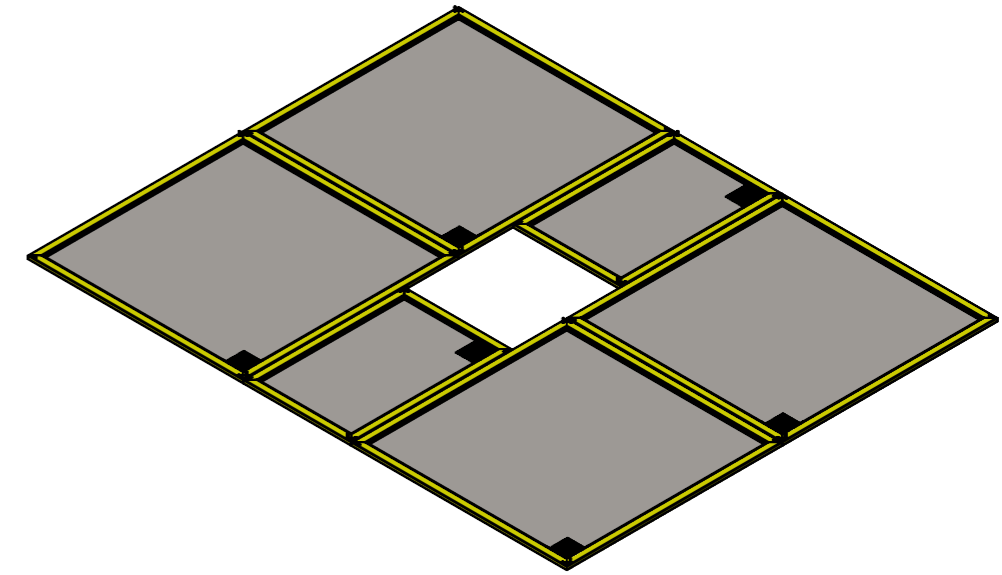
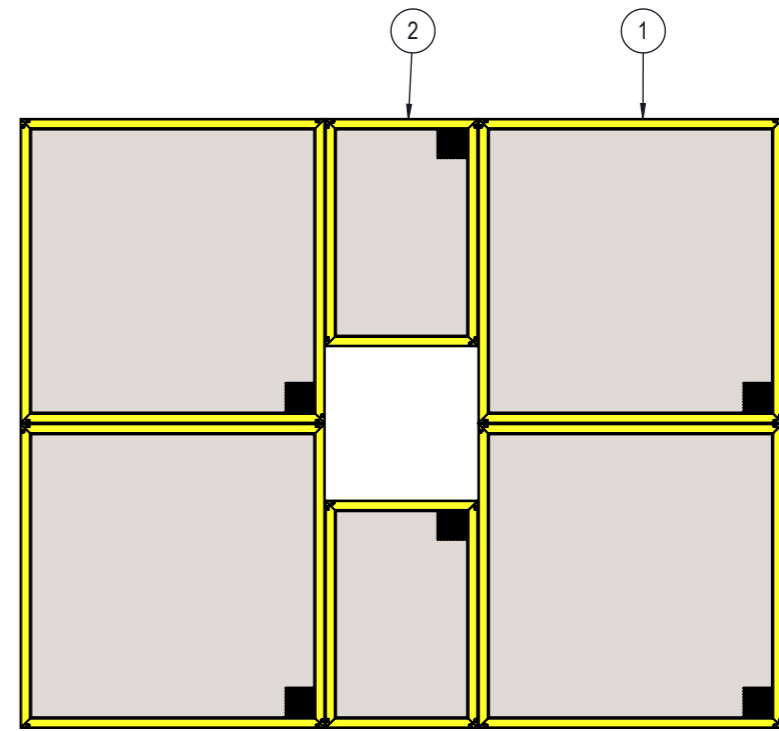
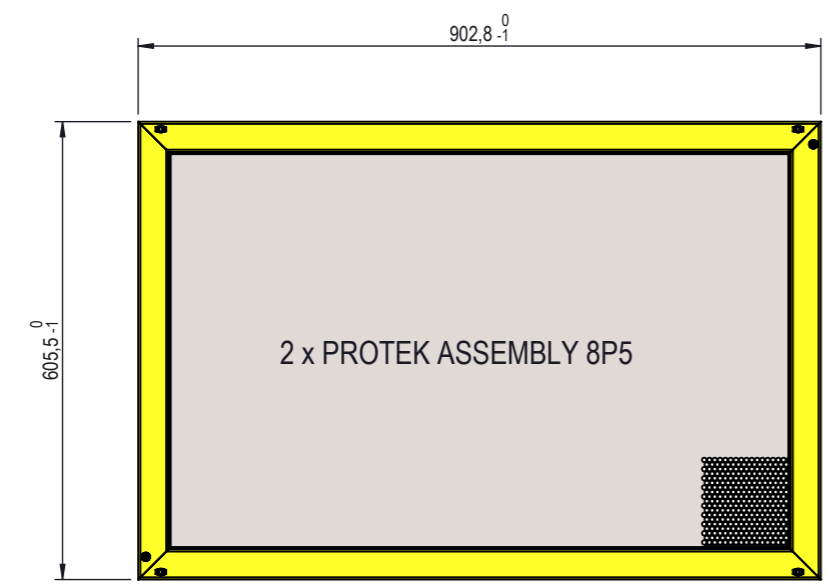
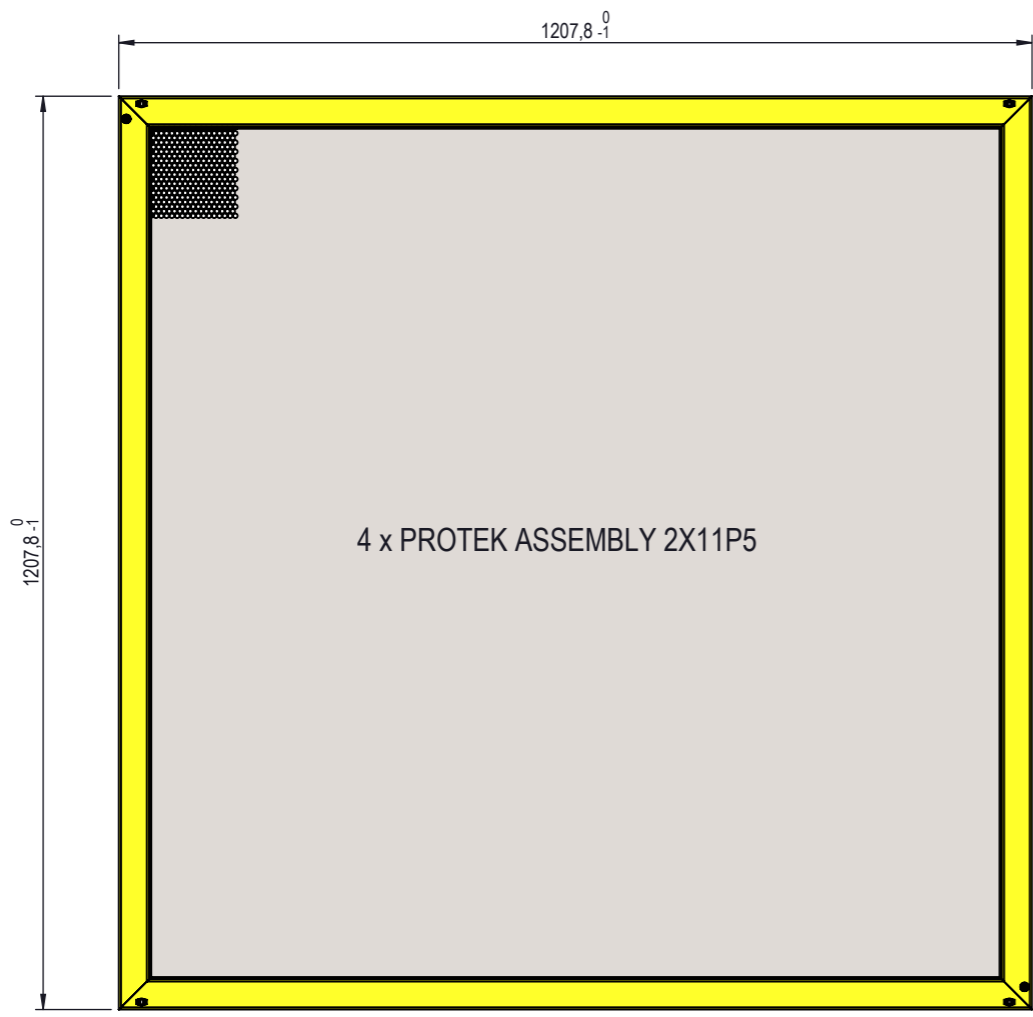


REVISION	DESCRIPTION	DATE	DESIGN	APPROVED
A	DRW CREATED	5.2.2019	MAM <i>[Signature]</i>	VPA <i>[Signature]</i>



Stainless Steel 1.4307 (304L)
pickled - glass blasted

ITEM	DRAWING NUMBER	DESCRIPTION	QTY.	CAMHOSP PAINTED MATERIAL	CAMHOSP PAINTED FINISH	CAMHOSP SS 304L MATERIAL	CAMHOSP SS 304L FINISH
1	5526-3511-500	PROTEK ASSEMBLY 2X11P5	4	SS304 EN 10086-3 X5CrNi 1810 - (1.4301)	Pickled passivated	SS304 EN 10086-3 X5CrNi 1810 - (1.4301)	Pickled passivated
2	5526-3540-500	PROTEK ASSEMBLY 8P5	2	SS304 EN 10086-3 X5CrNi 1810 - (1.4301)	Pickled passivated	SS304 EN 10086-3 X5CrNi 1810 - (1.4301)	Pickled passivated

Approved
 Approved as noted
 Revise and Resubmit

NAME: _____ SIGNATURE: _____
 COMPANY: _____ DATE: _____

DESCRIPTION: Finishing Panels Kit - CamHosp 2
 Protek Type 3.5

PROJECT	LAST REVISION	WEIGHT	
5526-3500-500	5.2.2019	94.73 kg	
DRAWING REF.	SHEET	SIZE	SCALE
5526-3500-500	1/1	A3	1:10

NB: The copyright of this drawing remains with Camfil.
 Contents must not be used, copied or disclosed to
 third parties without prior written consent.
 All rights reserved.